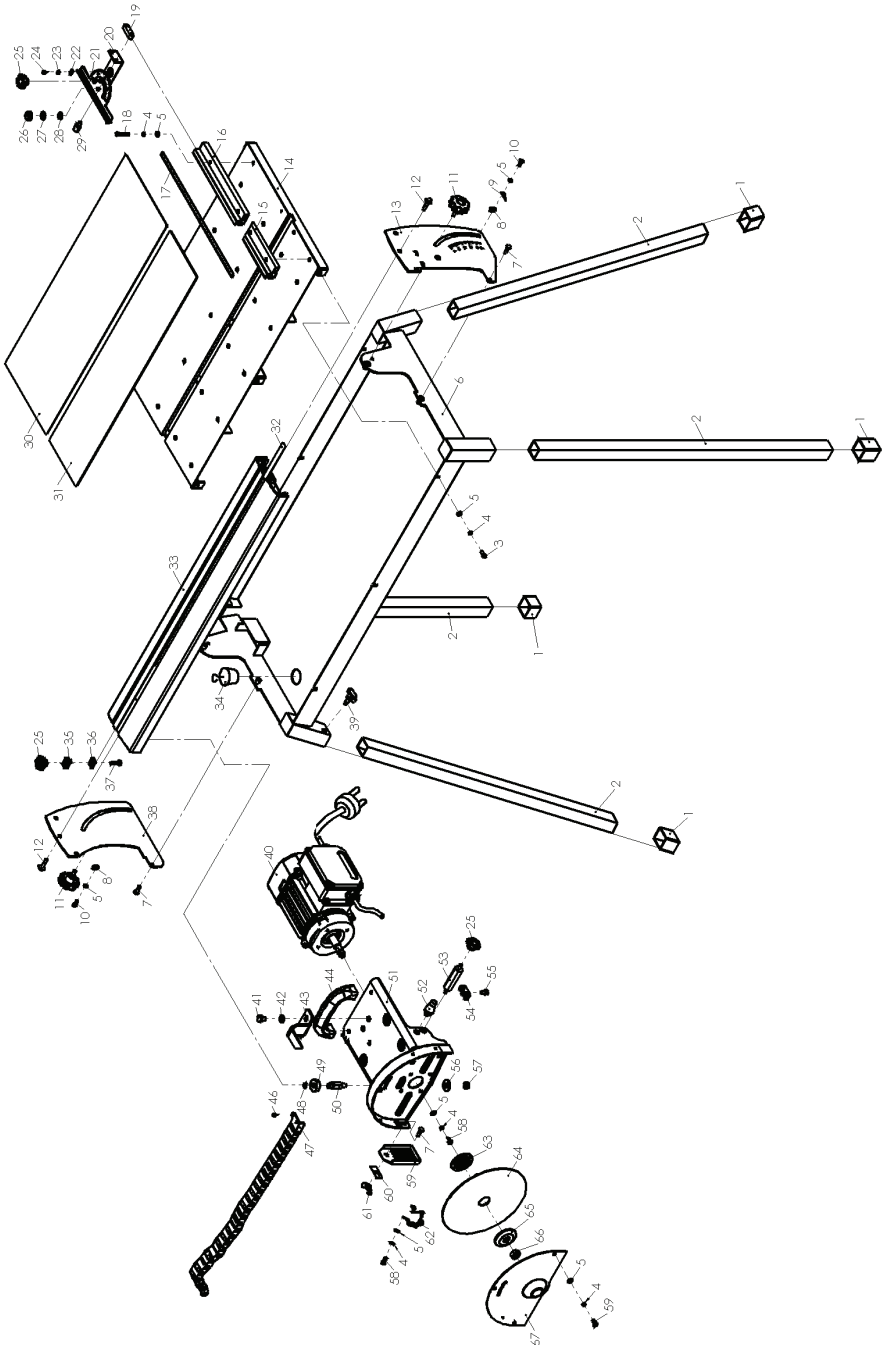


## Exploded drawing of Tile Cutting Machine RDP-ETC30



## Spare Parts List of TILE CUTTING MACHINE RDP-ETC30

№	Description	Qty
1	Rubber foot	4
2	Leg	4
3	Bolt M5×10	6
4	Elastic washer 5	6
5	Flat washer 5	6
6	Water tank	1
7	Bolt M6×20	2
8	Sliding block	2
9	Pointer	1
10	Screw M5×16	7
11	Lock knob	2
12	Coach bolt M6×20	6
13	Swivelling plate (A)	1
14	Work talbe	1
15	Fence (B)	1
16	Fence (A)	1
17	Scale label	1
18	Bolt M5×25	4
19	Sliding block	1
20	Connecting plate	1
21	Miter guage	1
22	Angle pointer	1
23	Flat washer 4	1
24	Screw M4×6	1
25	Lock knob M6	4
26	Cap for clamp plate	1
27	Clamp plate	1
28	Washer	1
29	Steel knob	2
30	Rubber pad (A)	1
31	Rubber pad (B)	1
32	Length scale lable	1
33	Guide rail	1
34	Drain insert	1
35	Position block (B)	1

№	Description	Qty
36	Position block (A)	1
37	Bolt M6×25	2
38	Swivelling plate (B)	1
39	Lock knob	4
40	Motor	1
41	Bolt M8×12	1
42	Elastic washer 8	1
43	Flat washer 8	1
44	Steel pointer	1
45	Operation handle	1
46	Screw M4×8	4
47	Plastic protection	1
48	Retaining ring 20	4
49	Ball bearing 609	4
50	Supporting rod	4
51	Motor holding bracket	1
52	Rubber pad	2
53	Limitation rod	1
54	Cable clamp	1
55	Screw M6×20	1
56	Big flat washer 8	4
57	Lock nut M8	4
58	Screw M5×16	4
59	Rubber curtain	1
60	Steel plate	1
61	Wing nut M6	1
62	Chian	1
63	Inner flange	1
64	Blade	1
65	Outer flange	1
66	Nut M12	
67	Outer cover	1